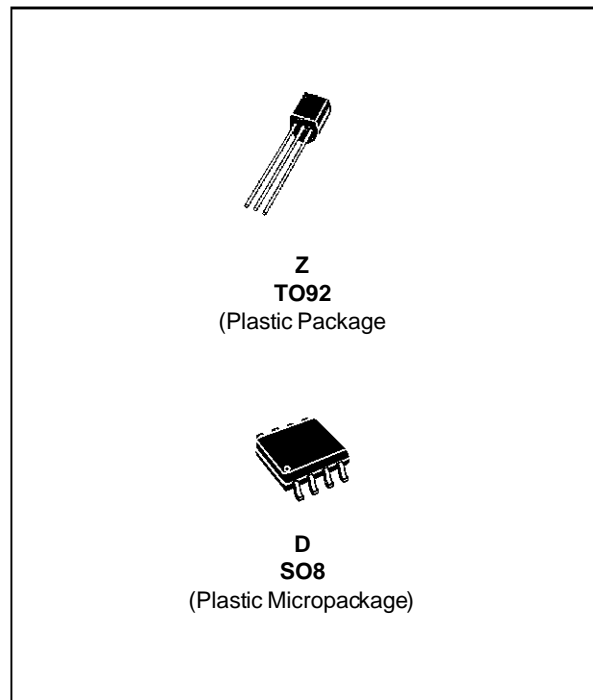


PRECISION TEMPERATURE SENSORS

- DIRECTLY CALIBRATED IN °K
- 1°C INITIAL ACCURACY
- OPERATES FROM 450µA TO 5mA
- LESS THAN 1Ω DYNAMIC IMPEDANCE

DESCRIPTION

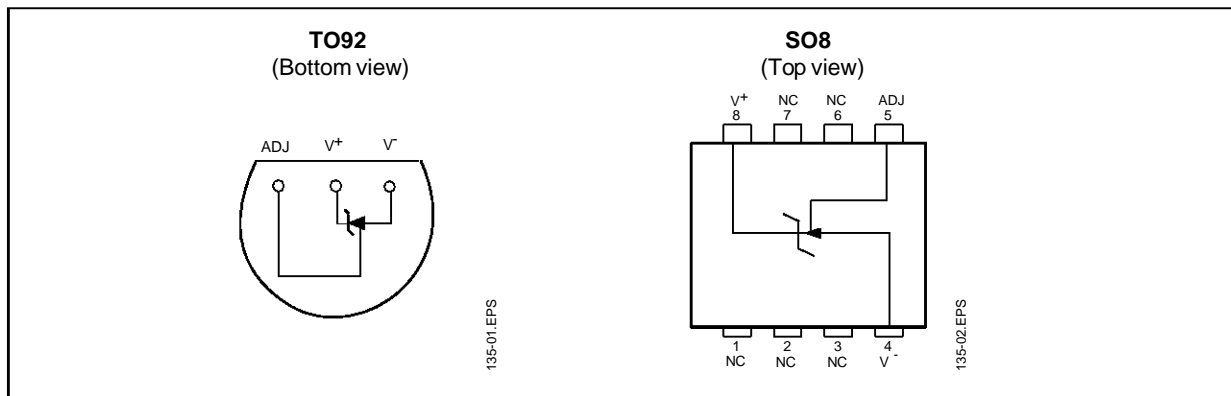
The LM135, LM235, LM335 are precision temperature sensors which can be easily calibrated. They operate as a 2-terminal Zener and the breakdown voltage is directly proportional to the absolute temperature at 10mV/°K. The circuit has a dynamic impedance of less than 1Ω and operates within a range of current from 450µA to 5mA without alteration of its characteristics. Calibrated at +25°C, the LM135, LM235, LM335 have a typical error of less than 1°C over a 100°C temperature range. Unlike other sensors, the LM135, LM235, LM335 have a linear output.



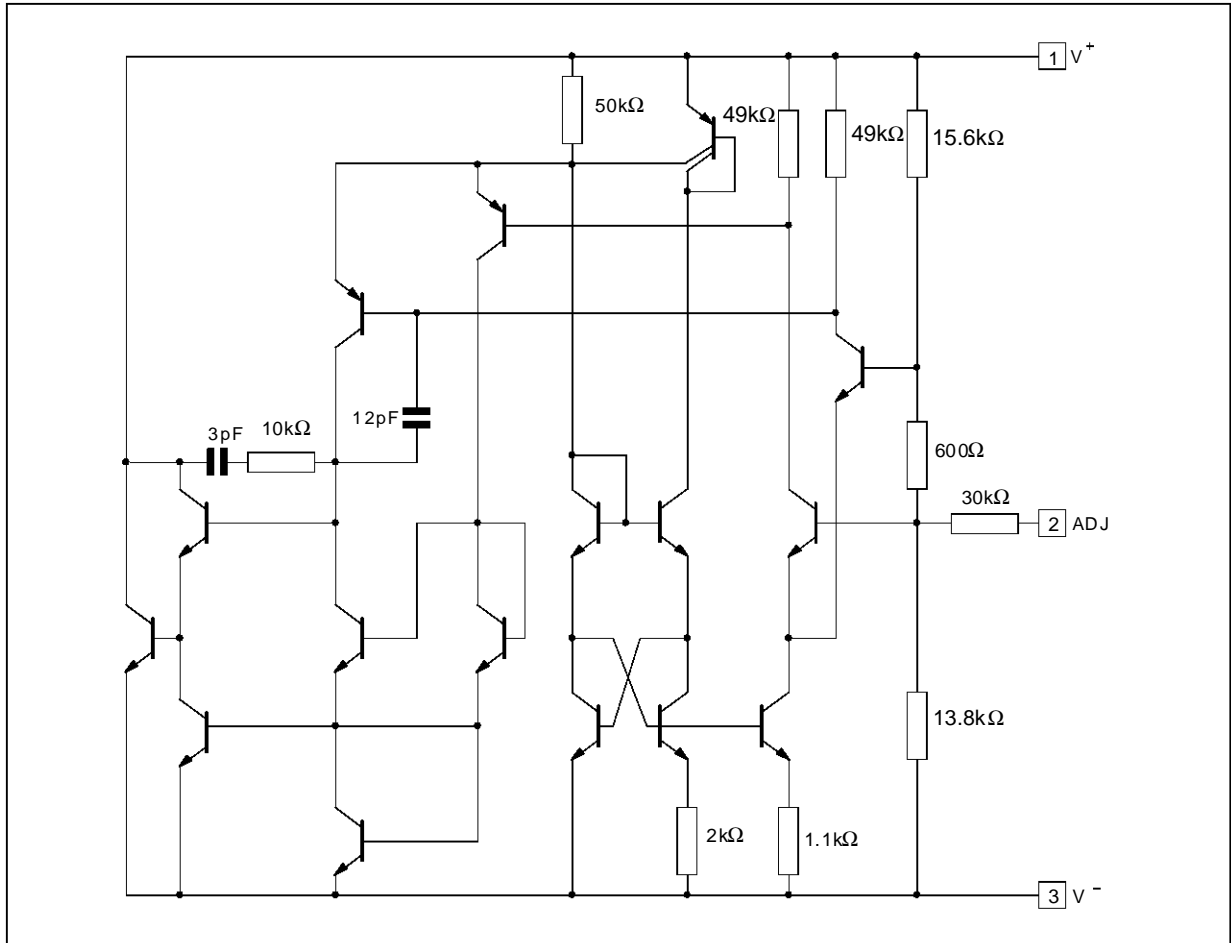
ORDER CODES

| Part number | Temperature Range | Package | |
|-------------|-------------------|---------|---|
| | | Z | D |
| LM135 | -55°C, +150°C | • | • |
| LM235 | -40°C, +125°C | • | • |
| LM335,A | -40°C, +100°C | • | • |

PIN CONNECTIONS



SCHEMATIC DIAGRAM



ABSOLUTE MAXIMUM RATINGS

| Symbol | Parameter | LM135 | LM235 | LM335,A | Unit |
|----------------|---|-----------------------------|-----------------------------|-----------------------------|------|
| I_R I_F | Current Reverse Forward | 15 10 | 15 10 | 15 10 | mA |
| T_{oper} | Operating Free-air Temperature Range - (note 1) Continuous Intermittent | -55 to +150 +150 to +200 | -40 to +125 +125 to +150 | -40 to +100 +100 to +125 | °C |
| T_{stg} | Storage Temperature Range | -65 to +150 | -65 to +150 | -65 to +150 | °C |

Note : 1. $T_j \leq 150^\circ\text{C}$

TEMPERATURE ACCURACY

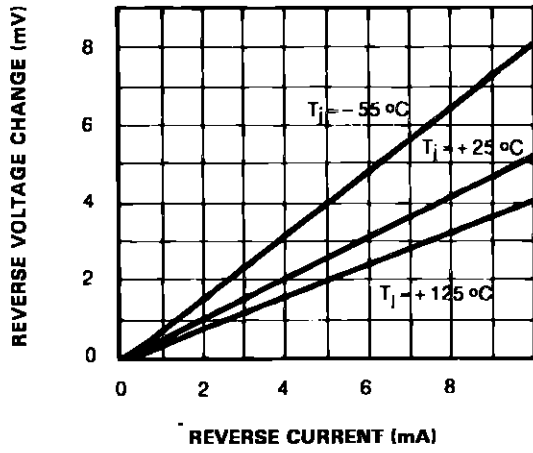
| Parameter | LM135 - LM235 LM335A | | | LM335 | | | Unit |
|---|----------------------------------|--------|--------|-------|--------|--------|-------------|
| | Min. | Typ. | Max. | Min. | Typ. | Max. | |
| Operating Output Voltage $T_{case} = +25^{\circ}C, I_R = 1mA$ | 2.95 | 2.98 | 3.01 | 2.92 | 2.98 | 3.04 | V |
| Uncalibrated Temperature Error ($I_R = 1mA$) $T_{case} = +25^{\circ}C$ $T_{min.} \leq T_{case} \leq T_{max.}$ | | 1 2 | 3 5 | | 2 4 | 6 9 | $^{\circ}C$ |
| Temperature Error with $25^{\circ}C$ Calibration $T_{min.} \leq T_{case} \leq T_{max.}, I_R = 1mA$ | | 0.5 | 1.5 | | 1 | 2 | $^{\circ}C$ |
| Calibrated Error at Extended Temperature $T_{case} = T_{max.}$ (intermittent) | | 2 | | | 2 | | $^{\circ}C$ |
| Non-linearity ($I_R = 1mA$) | | 0.3 | 1 | | 0.3 | 1.5 | $^{\circ}C$ |
| | LM135 - LM235 LM335 LM335A | 0.3 | 1.5 | | | | |

ELECTRICAL CHARACTERISTICS - (note 1)

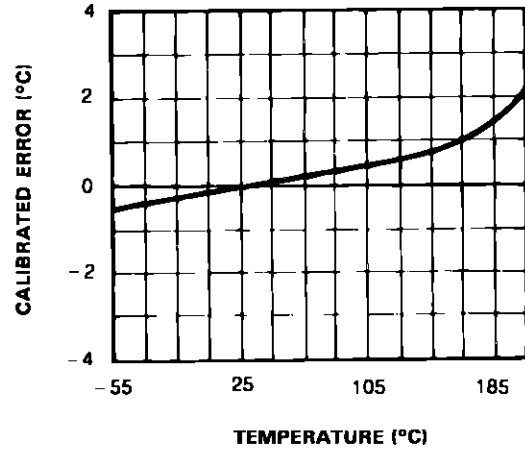
| Parameter | LM135 - LM235 | | | LM335,A | | | Unit |
|--|---------------|------|------|---------|------|------|-----------------|
| | Min. | Typ. | Max. | Min. | Typ. | Max. | |
| Operating output voltage change with current $450\mu A \leq I_R \leq 5mA$ at constant temperature | | 2.5 | 10 | | 3 | 14 | mV |
| Dynamic Impedance ($I_R = 1mA$) | | 0.5 | | | 0.6 | | Ω |
| Output Voltage Temperature Drift | | +10 | | | +10 | | mV/ $^{\circ}C$ |
| Time Constant | Still Air | 80 | | | 80 | | s |
| | Air 0.5m/s | 10 | | | 10 | | |
| | Stirred Oil | 1 | | | 1 | | |
| Time Stability ($T_{case} = +125^{\circ}C$) | | 0.2 | | | 0.2 | | $^{\circ}C/kh$ |

Note : 1. Accuracy measurements are made in a well-stirred oil bath. For other conditions, self heating must be considered.

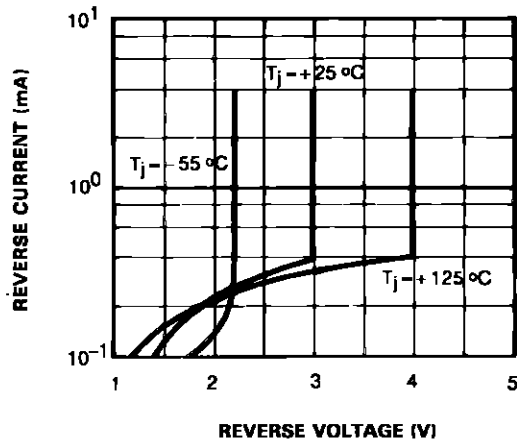
REVERSE VOLTAGE CHANGE



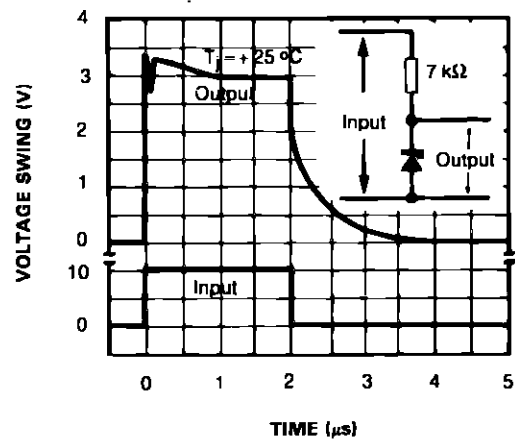
CALIBRATED ERROR



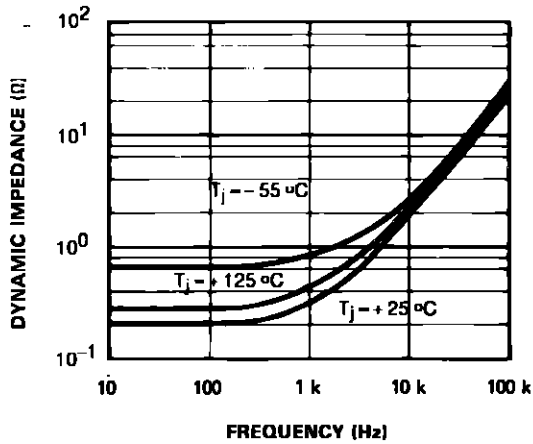
REVERSE CHARACTERISTICS



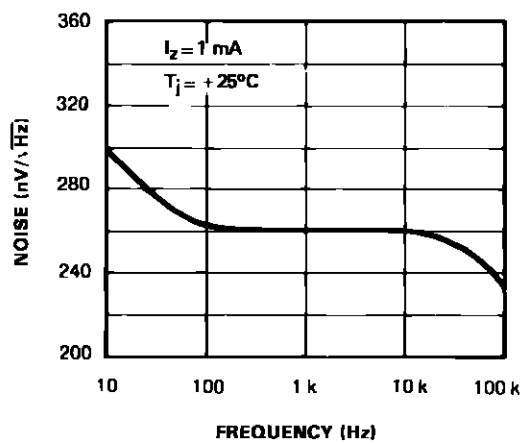
RESPONSE TIME



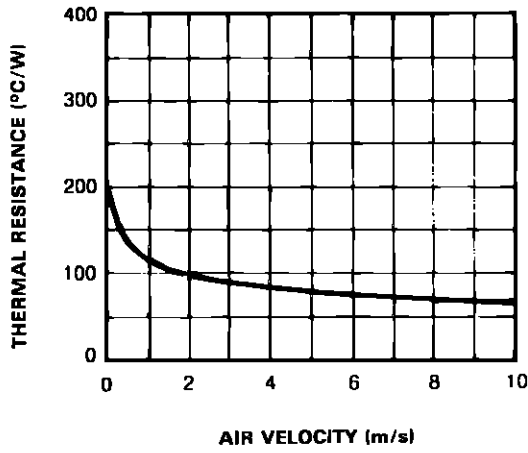
DYNAMIC IMPEDANCE



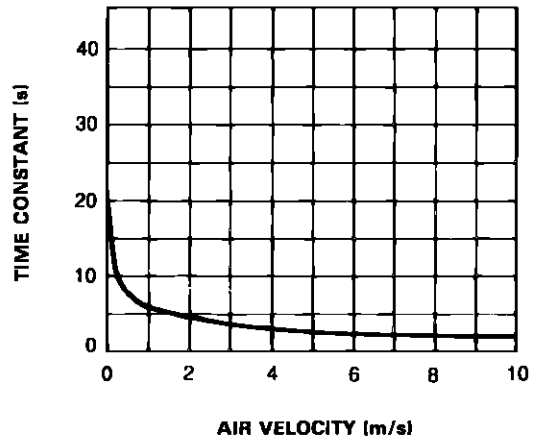
NOISE VOLTAGE



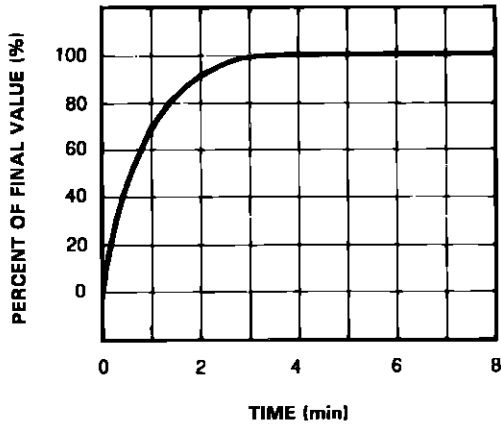
THERMAL RESISTANCE JUNCTION TO AIR



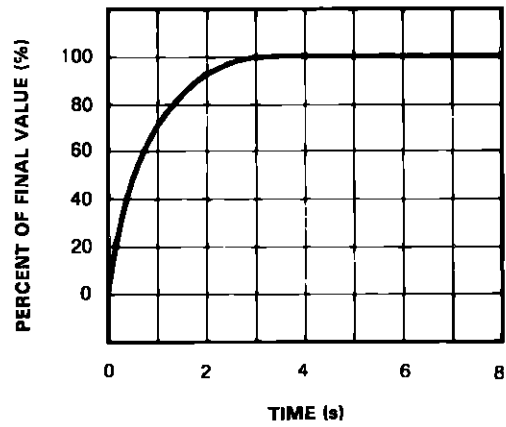
THERMAL TIME CONSTANT



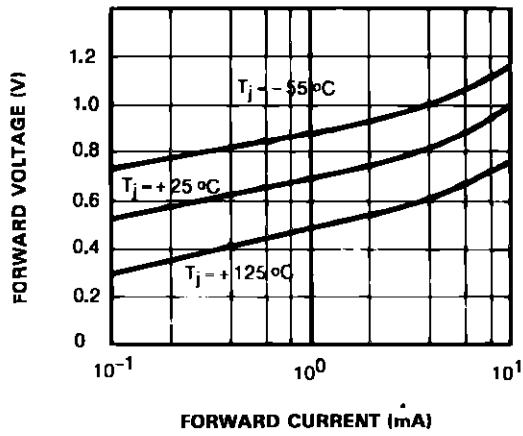
THERMAL RESPONSE IN STILL AIR



THERMAL RESPONSE IN STIRRED OIL BATH



FORWARD CHARACTERISTICS



APPLICATION HINTS

There is an easy method of calibrating the device for higher accuracies (see typical applications).

The single point calibration works because the output of the LM135, LM235, LM335 is proportional to the absolute temperature with the extrapolated output of sensor going to 0V at 0°K (-273.15°C). Errors in output voltage versus temperature are only slope. Thus a calibration of the slope at one temperature corrects errors at all temperatures.

The output of the circuit (calibrated or not) can be given by the equation : $V_{OT} = V_{OT0} \times \frac{T}{T_0}$

where T is the unknown temperature and T₀ is the reference temperature (in °K).

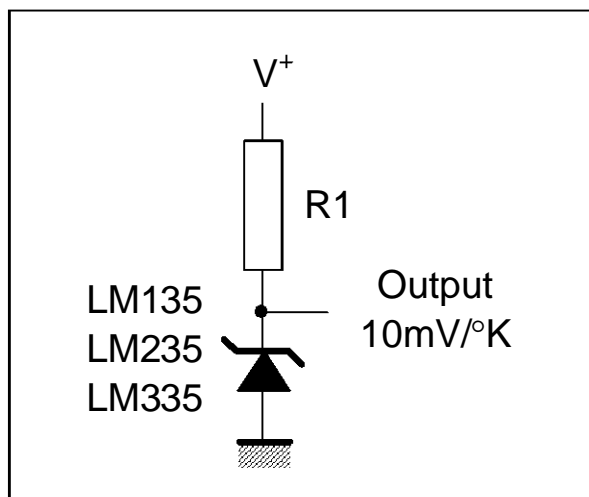
Nominally the output is calibrated at 10mV/°K.

Precautions should be taken to ensure good sensing accuracy. As in the case of all temperatures sensors, self heating can decrease accuracy. The LM135, LM235, LM335 should operate with a low current, but sufficient to drive the sensor and its calibration circuit to their maximum operating temperature.

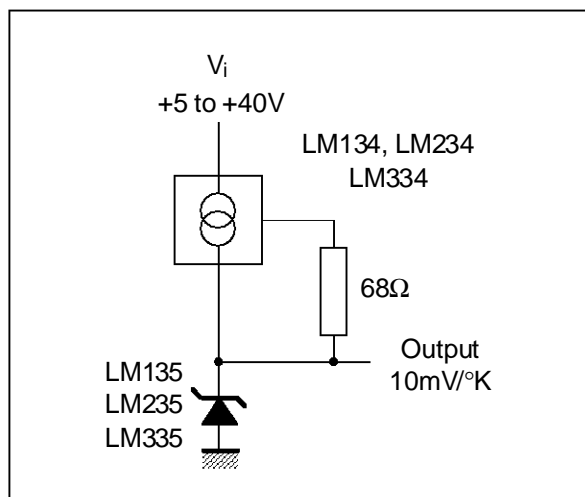
If the sensor is used in surroundings where the thermal resistance is constant, the errors due to self heating can be externally calibrated. This is possible if the circuit is biased with a temperature stable current. Heating will then be proportional to zener voltage and therefore temperature. In this way the error due to self heating is proportional to the absolute temperature as scale factor errors.

TYPICAL APPLICATIONS

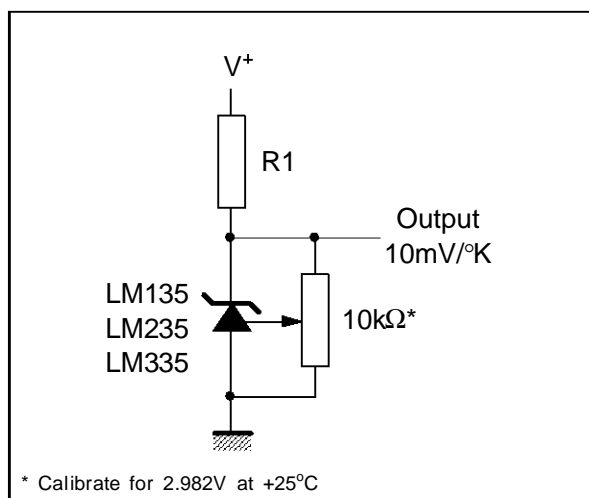
BASIC TEMPERATURE SENSOR



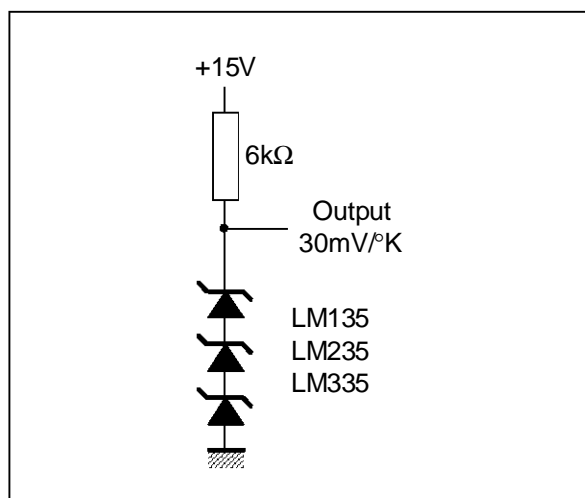
WIDE OPERATING SUPPLY



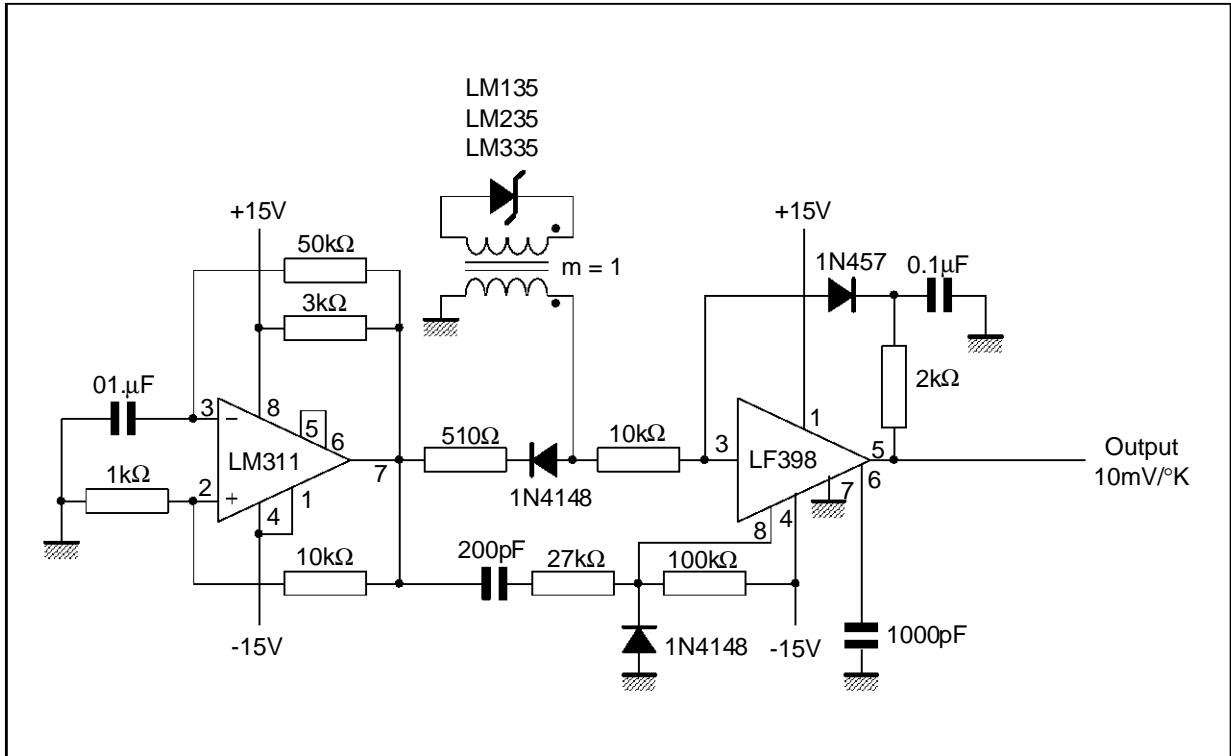
CALIBRATED SENSOR



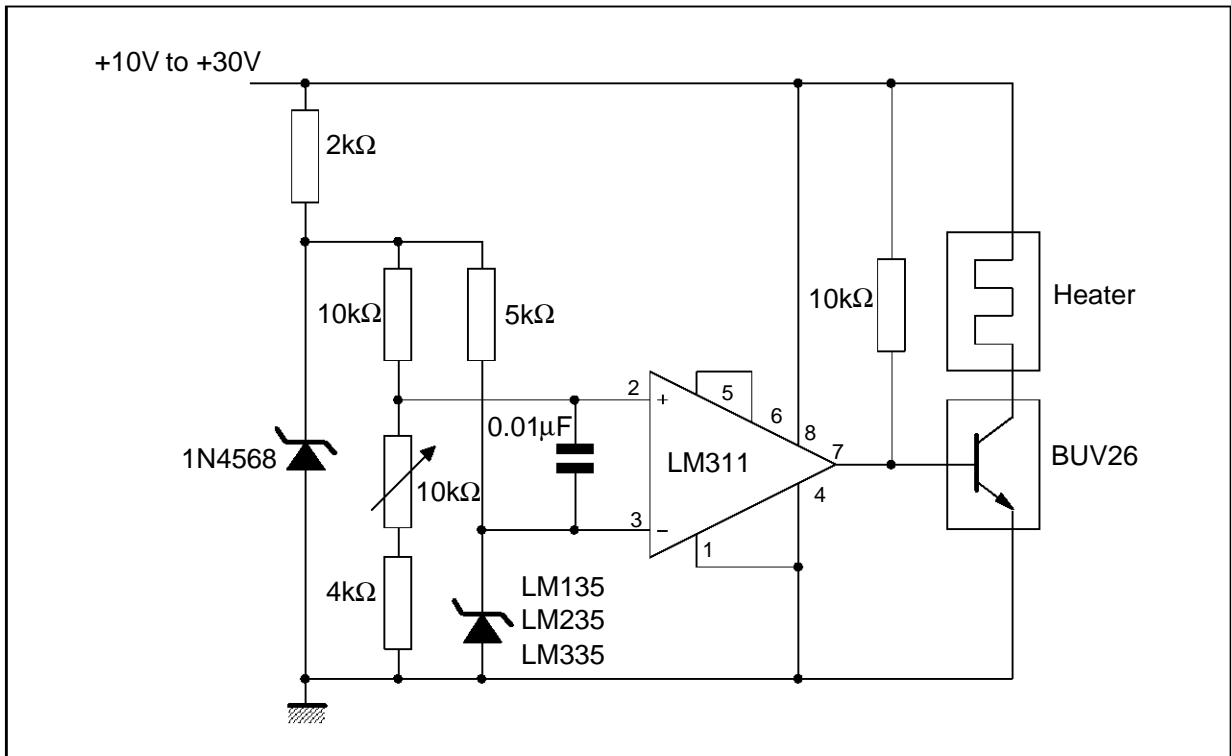
AVERAGE TEMPERATURE SENSING



ISOLATED TEMPERATURE SENSOR

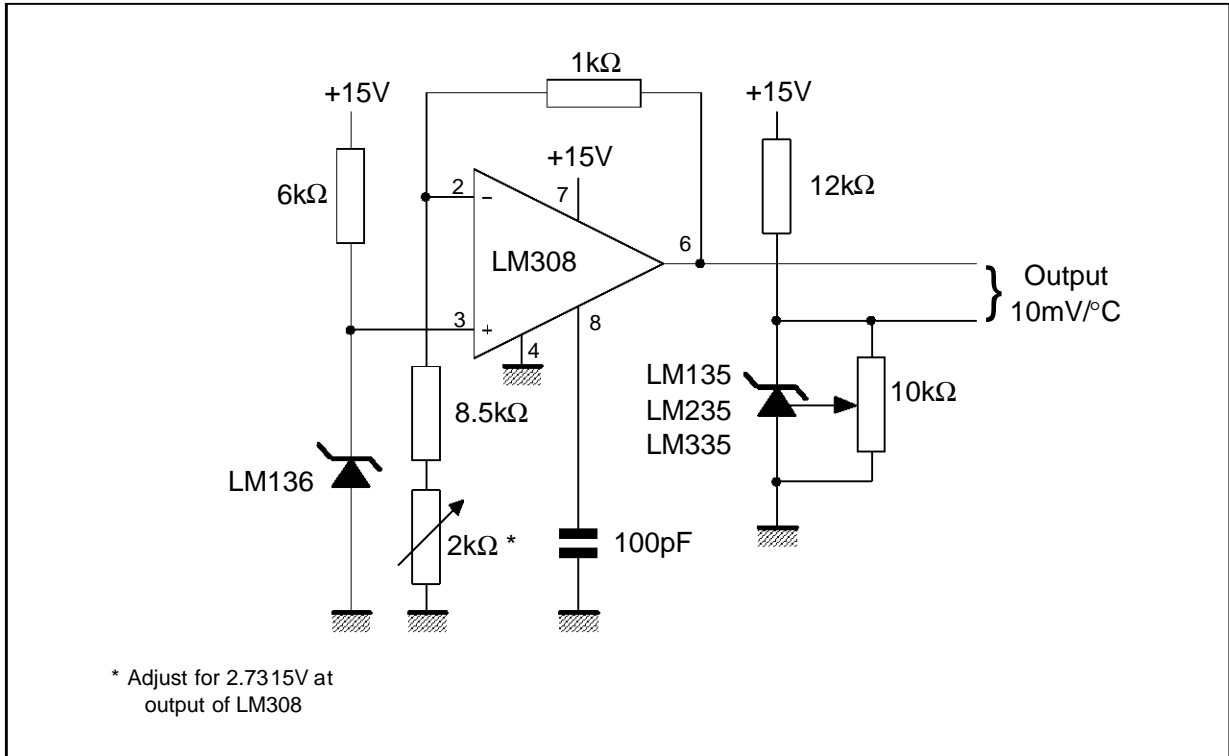


SIMPLE TEMPERATURE CONTROLLER

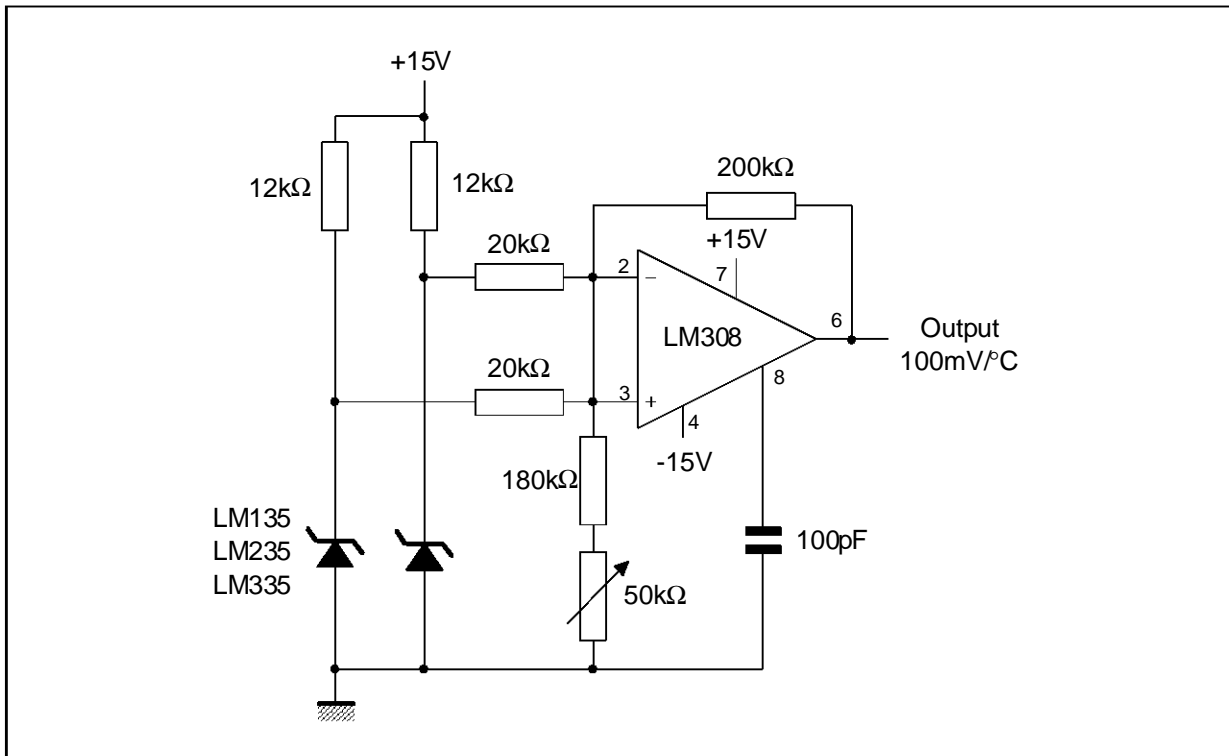


LM135-LM235-LM335,A

CENTIGRADE THERMOMETER



DIFFERENTIAL TEMPERATURE SENSOR



THERMOCOUPLE COLD JUNCTION COMPENSATION
(compensation for grounded thermocouple)

| Thermo-couple | R3 | Seebeck Coefficient |
|---------------|-------|---------------------|
| J | 377Ω | 52.3μV/°C |
| T | 308Ω | 42.8μV/°C |
| K | 293Ω | 40.8μV/°C |
| S | 45.8Ω | 6.4μV/°C |

Adjustments : compensates for both sensor and resistor tolerances.

- Short 1N4568.
- Adjust R1 for SEEBECK coefficient times ambient temperature (in degrees K) across R3.
- Short LM135 and adjust R2 for voltage across R3 corresponding to thermocouple type.

| | |
|-----------|-----------|
| J 14.32mV | K 11.17mV |
| T 11.79mV | S 1.768mV |

* Select R3 for proper thermocouple type

SINGLE POWER SUPPLY COLD JUNCTION COMPENSATION

| Thermo-couple | R3 | R4 | Seebeck Coefficient |
|---------------|--------|-------|---------------------|
| J | 1.05kΩ | 365Ω | 52.3μV/°C |
| T | 856Ω | 315Ω | 42.8μV/°C |
| K | 816Ω | 300Ω | 40.8μV/°C |
| S | 128Ω | 46.3Ω | 6.4μV/°C |

Adjustments :

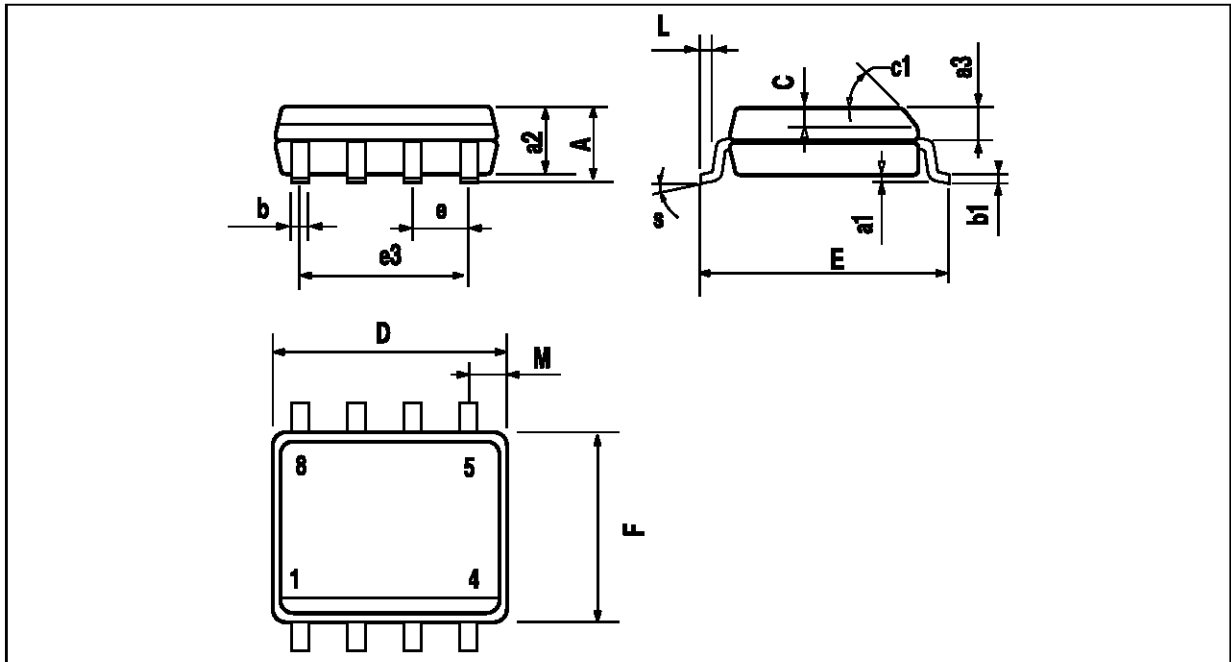
- Adjust R1 for the voltage across R3 equal to the SEEBECK coefficient times ambient temperature in degrees Kelvin.
- Adjust R2 for voltage across R4 corresponding to thermocouple.

| | |
|-----------|-----------|
| J 14.32mV | K 11.17mV |
| T 11.79mV | S 1.768mV |

* Select R3 and R4 for proper thermocouple

LM135-LM235-LM335,A

PACKAGE MECHANICAL DATA
8 PINS - PLASTIC MICROPACKAGE (SO)

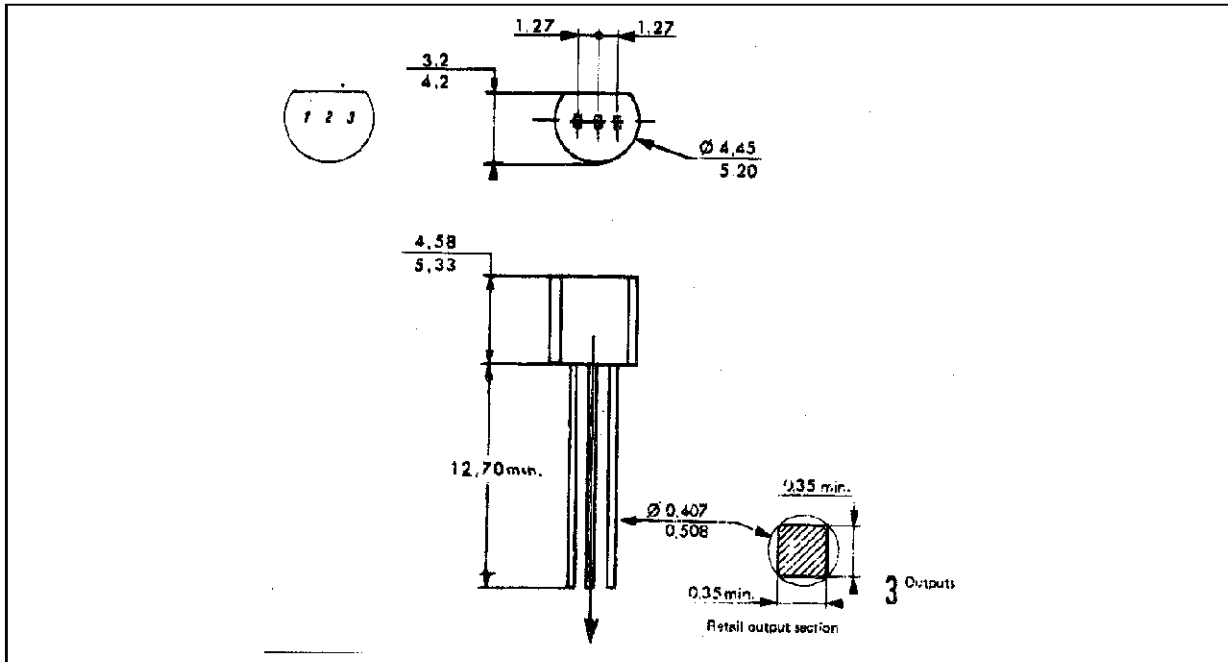


PM-S08.EPS

| Dimensions | Millimeters | | | Inches | | |
|------------|-------------|------|------|--------|-------|-------|
| | Min. | Typ. | Max. | Min. | Typ. | Max. |
| A | | | 1.75 | | | 0.069 |
| a1 | 0.1 | | 0.25 | 0.004 | | 0.010 |
| a2 | | | 1.65 | | | 0.065 |
| a3 | 0.65 | | 0.85 | 0.026 | | 0.033 |
| b | 0.35 | | 0.48 | 0.014 | | 0.019 |
| b1 | 0.19 | | 0.25 | 0.007 | | 0.010 |
| C | 0.25 | | 0.5 | 0.010 | | 0.020 |
| c1 | 45° (typ.) | | | | | |
| D | 4.8 | | 5.0 | 0.189 | | 0.197 |
| E | 5.8 | | 6.2 | 0.228 | | 0.244 |
| e | | 1.27 | | | 0.050 | |
| e3 | | 3.81 | | | 0.150 | |
| F | 3.8 | | 4.0 | 0.150 | | 0.157 |
| L | 0.4 | | 1.27 | 0.016 | | 0.050 |
| M | | | 0.6 | | | 0.024 |
| S | 8° (max.) | | | | | |

SO8.TBL

PACKAGE MECHANICAL DATA
3 PINS - PLASTIC PACKAGE TO92



| Dimensions | Millimeters | | | Inches | | |
|------------|-------------|------|-------|--------|--------|--------|
| | Min. | Typ. | Max. | Min. | Typ. | Max. |
| L | | 1.27 | | | 0.05 | |
| B | 3.2 | 3.7 | 4.2 | 0.126 | 0.1457 | 0.1654 |
| O1 | 4.45 | 5.00 | 5.2 | 0.1752 | 0.1969 | 0.2047 |
| C | 4.58 | 5.03 | 5.33 | 0.1803 | 0.198 | 0.2098 |
| K | 12.7 | | | 0.5 | | |
| O2 | 0.407 | 0.5 | 0.508 | 0.016 | 0.0197 | 0.02 |
| a | 0.35 | | | 0.0138 | | |

Information furnished is believed to be accurate and reliable. However, SGS-THOMSON Microelectronics assumes no responsibility for the consequences of use of such information nor for any infringement of patents or other rights of third parties which may result from its use. No license is granted by implication or otherwise under any patent or patent rights of SGS-THOMSON Microelectronics. Specification mentioned in this publication are subject to change without notice. This publication supersedes and replaces all information previously supplied. SGS-THOMSON Microelectronics products are not authorized for use as critical components in life support devices or systems without express written approval of SGS-THOMSON Microelectronics.

© 1997 SGS-THOMSON Microelectronics – Printed in Italy – All Rights Reserved

SGS-THOMSON Microelectronics GROUP OF COMPANIES
Australia - Brazil - Canada - China - France - Germany - Hong Kong - Italy - Japan - Korea - Malaysia - Malta - Morocco
The Netherlands - Singapore - Spain - Sweden - Switzerland - Taiwan - Thailand - United Kingdom - U.S.A.